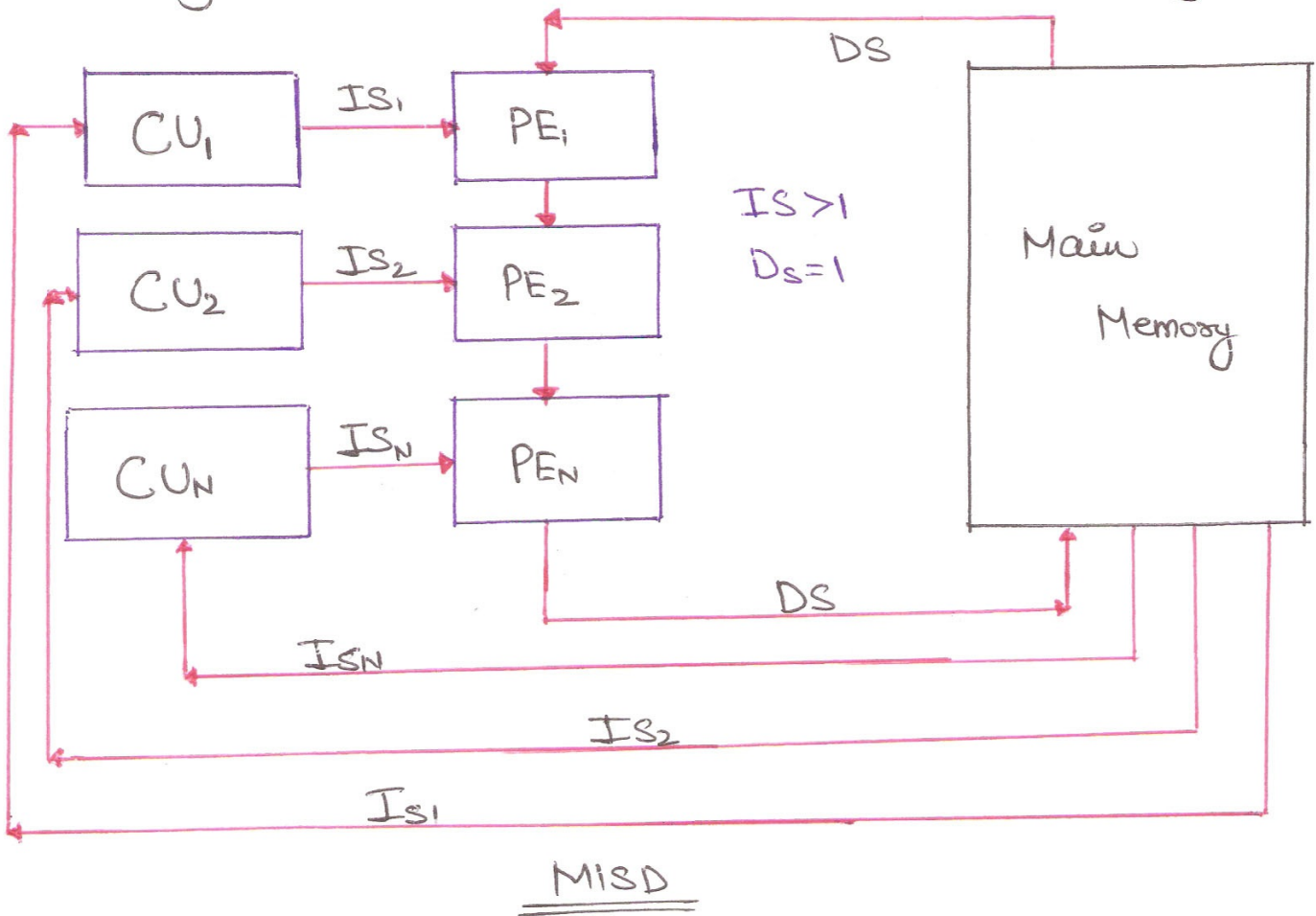


" Multiple Instruction and Single Data Stream :- " (MISD)

- In this Multiple processing elements are organised under the control of multiple Control unit.
- Each CU is handling one instruction stream and processed through its corresponding processing element.

But each processing element is processing only a Single data Stream at a time.

Therefore handling Multiple Instruction Streams & Single data Stream, multiple control units and multiple processing elements are organized in this classification.



All processing elements are interacting with Common Shared Memory for the Organisation of Single data Stream.

MISD Organisation Computers are rarely used but for specialized applications.

Real time Computers need to be fault tolerant where several processors execute the same data for producing the redundant data.



Subscribe to our
You Tube Channel