

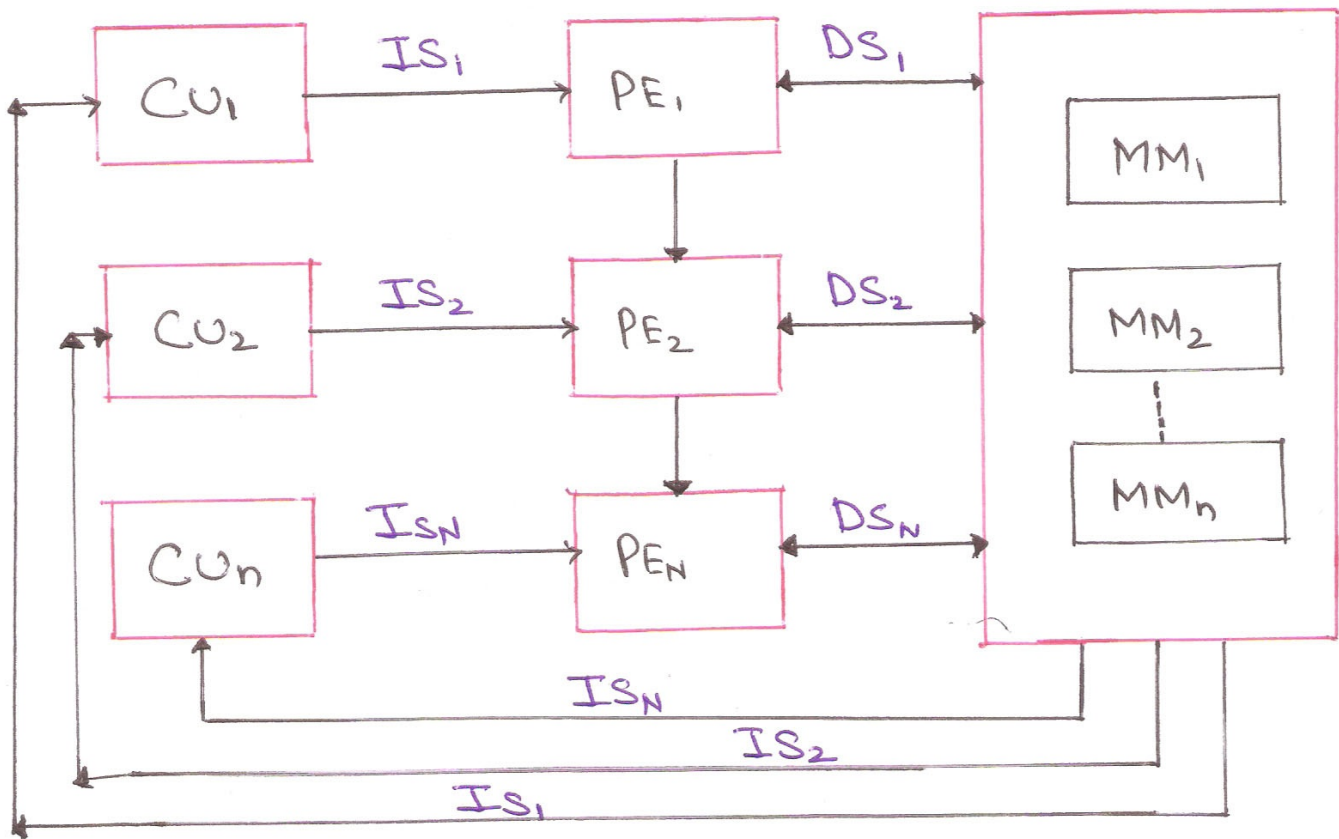
'Multiple Instruction & Multiple Data stream MIMD'

In this Multiple Instruction streams operate on Multiple Data streams.

Therefore Handling multiple instruction streams, multiple Control units and multiple processing elements are organized such that multiple processing elements are handling multiple data stream from Main Memory.



$I_s > 1$
 $D_s > 1$



→ The processors work on their own data with their own instructions.

→ Tasks executed by different processor can start or finish at different times.

They are not-lock-stepped, as in SIMD Computers, but run asynchronously.

In Real Sense MIMD Organization is said to be a parallel Computer.

All multiprocessor Systems fall under this classification

Examples

C.mmp

Burroughs D825

Cray-2, Cray X-MP

SI; Piusibus

HEP



Subscribe to our
You Tube Channel