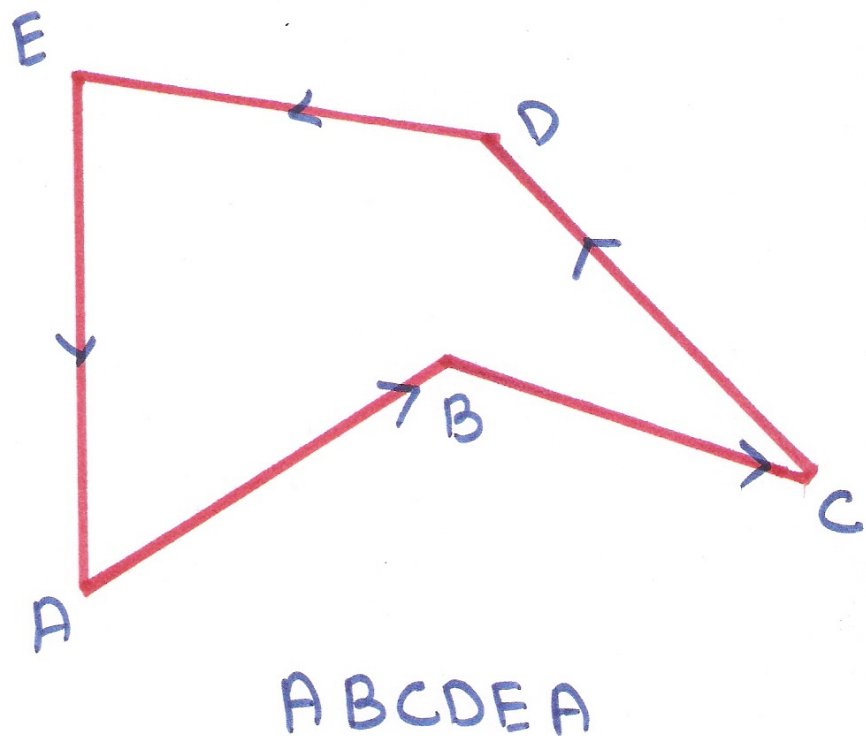


Vector Scan / Random Scan Display



- Vector Scan CRT display traces out only the desired lines on CRT.
- Display buffer is used to store display list and it is used for refreshing, the display buffer memory is also called "refresh buffer".
- The process is like the way a person or plotter draws a line.
- This device is capable of producing pictures made up of lines but not of curves.

Subscribe to our

YouTube Channel

Information Technology Engg. Tutorials By ER. Deepak Garg

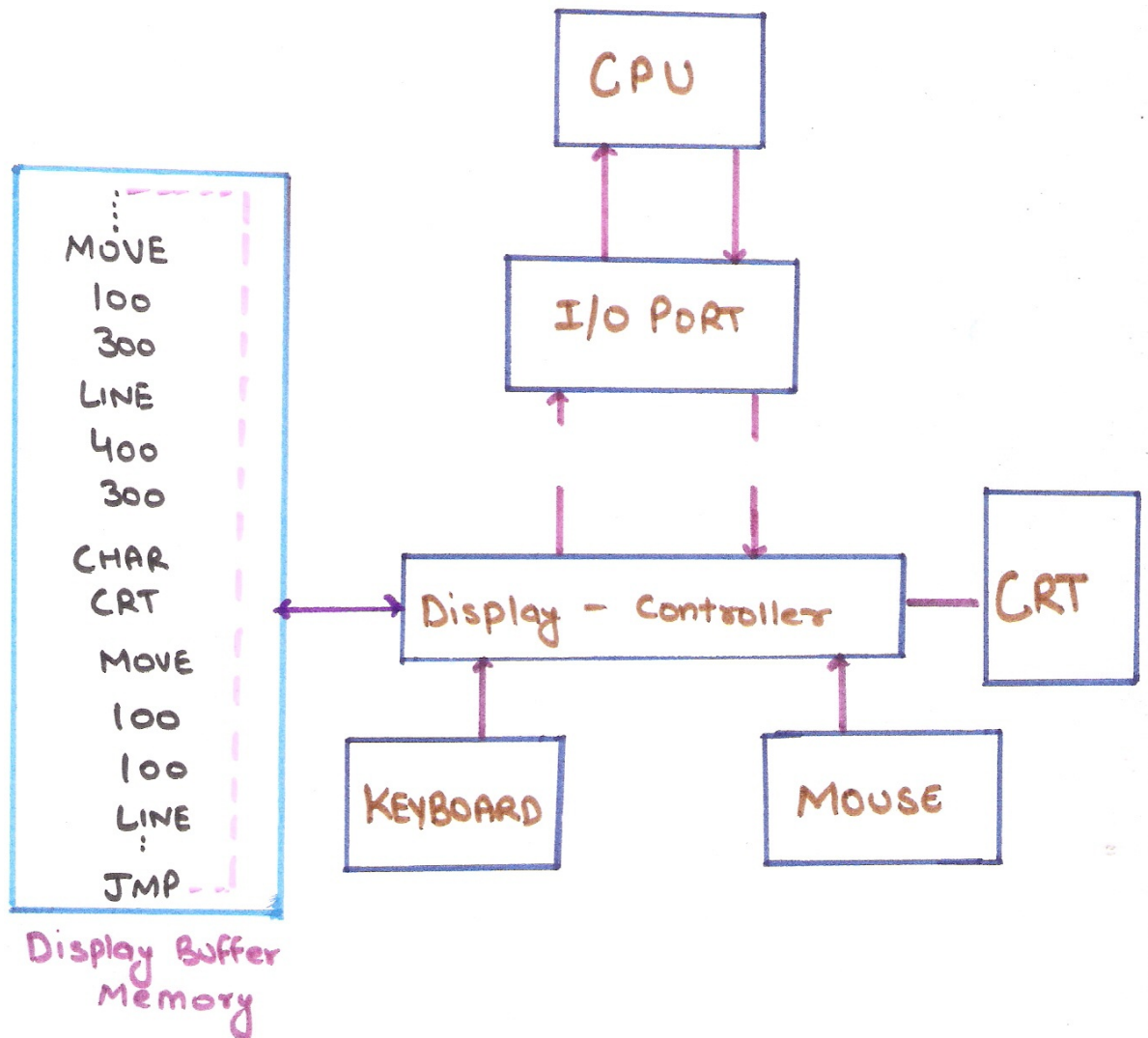


TutorialsSpace.com
A SIMPLE LEARNING

www.tutorialsspace.com

All Rights are Reserved and Copyrighted

→ The electron beam was moved along the particular direction and for the particular length of the line specified.



Architecture of a Vector Display